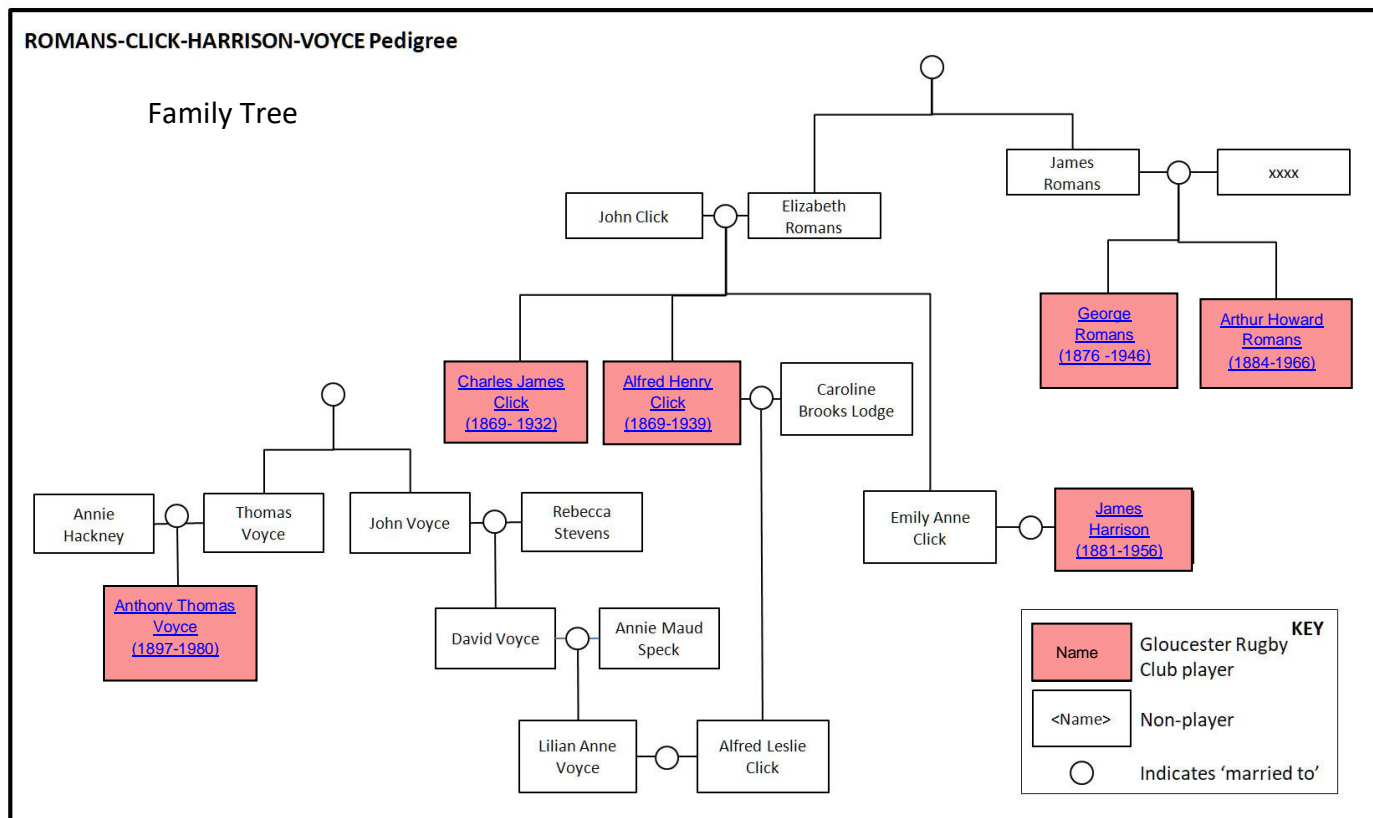


## EXTENDED FAMILIES: The ROMANS, CLICK, HARRISON and VOYCE Greater Family:

The relationships based on the families of [George Romans](#), [Arthur Howard Romans](#), [Charles James Click](#), [Alfred \('Fred'\) Henry Click](#), [James \('Jimmy'\) Harrison](#) and [Anthony Thomas \('Tom'\) Voyce](#).



### The ROMANS Family, brothers George Romans and Arthur Howard Romans

**George Romans** was born at Saint Owen, Gloucester, on 30 November 1876, the son of James Romans (1851-1933), a Cabinet Maker and Timber Merchant, and Hester Romans (née Ravenhill) (1852-1915). George of one of seven children which included his brother [Arthur Howard Romans](#). The family lived in Southgate Street. At Saint Mary de Lode Church on 7 October 1909 George married Emma Gurney who was the cousin of Ivor Bertie Gurney, the Gloucestershire poet and composer. They lived initially in Stroud Road and later in Tuffley Avenue, Gloucester while George was employed as a Manager in the timber trade at the Britannia Wharf, Gloucester Docks. The couple had one son.

During the Great War George worked as volunteer with the British Red Cross and amassed 3,966 hours of unpaid work as an entertainment organiser for local Red Cross hospitals. After the war he continued to work in the timber trade but soon after the outbreak of the Second World War the couple moved to Bournemouth. George's occupation was now as a Service Man for milling machines working on behalf of the Gloucester firm of Messrs Williams and James (Engineering); the firm had been founded in 1915 to produce materials vital for the war effort and this work continued throughout the Second World War. George maintained the firm's vital milling machines, but the couple's stay in Bournemouth was curtailed as they were bombed out and consequently moved to Stoke Abbot, Dorset, a less obvious target for the Luftwaffe. **George played as a wing/fullback, and appeared in 268 games for the Gloucester First XV between 1897 and 1907, scoring 7 tries but amassing 820 points largely due to his ability as a kicker. He captained the Club between 1900 and 1905 and was also awarded 23 Gloucestershire County caps. George also played first class cricket for Gloucestershire as a right-handed batsman and played 11 times**

in the County Championship between 1899 and 1903 scoring 318 runs. George died suddenly at Beaminster, Dorset on 2 January 1946 age 69 years; he was buried at Hempstead Church, Gloucester. His wife, Emma, had died previously in 1944 and is also buried at Hempstead Church.

There is a detailed [player profile of George Romans](#) in the [People/Player Profiles section](#) of this website.

[Back to Family Tree](#)

[Go To Top of Page](#)

[Return Home](#)

**Arthur Howard Romans** was born at Gloucester on 23 January 1884, the son of James Romans (1851-1933), a Cabinet Maker and Timber Merchant, and Hester Romans (née Ravenhill) (1852-1915). George was of one of seven children which included his brother [George Romans](#). The family lived in Southgate Street. In 1915 at St Catharine's Church, Gloucester Howard married Ida Marion Brown (1884-1975). By 1939 the couple lived in Cheltenham with Ida's widowed mother while Arthur worked as a Mechanical Engineer and Technical Sales Representative. **Arthur played twice at fullback for the Gloucester First XV in 1903.** He died at Stratford on Avon in 1966 age 82 years, while his wife, Ida, also died at Stratford on Avon in 1975 age 81 years.

[Back to Family Tree](#)

[Go To Top of Page](#)

[Return Home](#)

#### **The Click Family, brothers Charles James Click and Alfred Henry ('Fred') Click**

**Charles James Click** was born in Gloucester on 1 September 1869, the son of John Click, a Warehouseman (1841-1884) and Elizabeth Click (née Romans) (1841-1929). The couple had five children, one of whom was Charles' brother was [Alfred Henry Click](#). Charles' cousins were the brothers [George Romans](#) and [Arthur Howard Romans](#) as his mother was their auntie and the sister of James Romans. One of Charles' sisters, Emily Annie Click (1865-1956) married [James Harrison](#). At Christ Church, Gloucester in 1894 Charles married Mary Elizabeth Steele (1873-1958) and the couple had three children. They lived in Hanman Road, Gloucester, and Charles worked as a Water Inspector. **As a threequarter, he made 62 appearances for the Gloucester First XV between 1890 and 1894, scoring 4 tries.** Charles died in Gloucester in 30 January 1932 age 62 years while his wife, Mary, died in June 1958 age 85 years.

There is a detailed [profile of Charles James Click](#) in the [People/Player Profiles section](#) of this website.

[Back to Family Tree](#)

[Go To Top of Page](#)

[Return Home](#)

**Alfred Henry ('Fred') Click** was born in Gloucester on 22 October 1871, the son of John Click, a Warehouseman (1841-1884) and Elizabeth Click (née Romans)(1841-1929). The couple had five children, one of whom was Charles' brother was [Charles James Click](#). Fred's cousins were the brothers [George Romans](#) and [Arthur Howard Romans](#) as his mother was their auntie and the sister of James Romans. One of Fred's sisters, Emily Annie Click (1865-1956) married [James Harrison](#). At Christ Church, Gloucester on 21 May 1894 Fred married Caroline Brooks Lodge (1866-1910) and the couple had three children. They lived initially in Tuffley Avenue but later on moved in with his widowed mother and her

sister Sarah Ann Romans at Montpellier Villas. Fred worked as a Postman. In 1942 one of their sons, Alfred Leslie Click married Lilian Anne Voyce whose father, David, was the cousin of [Anthony Thomas \('Tom'\) Voyce](#). Fred, a forward, made 225 appearances for the Gloucester First XV between 1893 and 1903, scoring 16 tries. He was also awarded 16 Gloucestershire County caps. Fred died in Gloucester on 3 October 1939 age 67 years while his wife, Caroline, had previously died at Gloucester in 1910 age 44 years. There is a detailed [profile of Alfred Henry Click](#) in the [People/Player Profiles section](#) of this website.

[Back to Family Tree](#)

[Go To Top of Page](#)

[Return Home](#)

**James ('Jimmy') Harrison** was born in Lydney on 19 January 1881, the son of Henry Harrison (1844-1923), a Coal Trimmer, and Ellen Harrison (née Howells) (1843-1909) and was one of four children. The family lived in Queen Street, Lydney and Jimmy's near neighbours were **Arthur Saunders** (49 games for First XV, 1912-1914) and **William Guy ('Jack') Nelmes** (37 games for First XV, 1909-1910). Jimmy was a Colliery Labourer at the local Norchard Colliery near Lydney and initially worked under an apprenticeship scheme from 1898 to 1902. Although his father had also worked at the colliery, he changed occupations after becoming a widower and worked as a Water Bailiff for the Severn Fishery Board. Jimmy would also move away from the colliery as following his successful rugby career at Gloucester he moved to Wigan to play in the Northern League. In 1914 he retired from rugby and returned to Lydney, resuming his occupation at the Norchard Colliery. Jimmy, a centre, made 81 appearances for the Gloucester First XV between 1903 and 1906, scoring 36 tries and 4 drop goals. He was also awarded seven Gloucestershire County caps. The *Citizen* described how he brought '...style...' to the Gloucester threequarters. In September 1914, together with his friends, **Arthur Saunders** and **Jack Nelmes**, Jimmy enlisted at Coleford in the 8<sup>th</sup> Battalion, Gloucestershire Regiment. He would rise to the rank of Sergeant and serve in five different units throughout the war, seeing active service in Gallipoli, Egypt and Palestine. On multiple occasions he would be reprimanded for his gambling habits and reduced to the rank of Private; he would however be returned to the rank of Sergeant whenever a fire fight was imminent. His friends, **Jack Nelmes** and **Arthur Saunders**, would be killed in action on the Somme on 23 July 1916 age 25 years and 1 November 1916 age 26 years respectively; neither of their bodies would be recovered and they are listed amongst the Missing of the Somme, 1916. At Christ Church, Gloucester, on 31 May 1920 James married Emily Annie Click (1865-1956), the sister of [Charles James Click](#) and [Alfred Henry Click](#). James died on 27 February 1956 age 75 years at Montpellier Villas, Gloucester with his wife Emily dying later in the same year age 91 years. There is a detailed [profile of Jimmy Harrison](#) in the [People/Player Profiles section](#) of this website.

[Back to Family Tree](#)

[Go To Top of Page](#)

[Return Home](#)

**Anthony Thomas ('Tom') Voyce** was born in Gloucester on 18 May 1897, the son of Thomas Voyce, a Lighterman (1862-1937) and Annie Voyce (née Hackney) (1861-1927). Tom was one of ten children although three died in infancy which meant that all of Tom's remaining siblings were girls. The family lived at Chapel Passage, St Mary's Square, Gloucester but by 1911 had moved to Deans Walk in close proximity to Kingsholm Stadium. Tom was a pre-war Territorial soldier having enlisted in the 5<sup>th</sup> Battalion, Gloucestershire Regiment on 18 May 1914 as he reached 17 years, the legal age for

enlistment in the Territorials. However with the declaration of war in August he was too young to serve abroad and remained in the UK before landing in France on 25 May 1916 with the 2<sup>nd</sup>/5<sup>th</sup> Battalion, Gloucestershire Regiment. He was promoted to the rank of Sergeant before gaining a commission as a Second Lieutenant in February 1919 in the Royal West Kent Regiment. Tom was wounded in the right eye in 1917 which left him with permanently impaired vision. During the Second World War he served as a Major in the Royal Army Signal Corps. **Tom, primarily a back row forward, made 171 appearances for the Gloucesters First XV between 1918 and 1927, scoring 55 tries which with his kicking skills resulted in a total of 219 points for the Club; he was the Club captain between 1924 and 1927. He was also awarded 27 Gloucestershire County caps. Internationally he won 27 caps playing for England and two caps for the British Lions.** On 12 April 1926 Tom married Hilda Fanny ('Pat') King (1903-1990) at Berkeley and the couple had two children. Tom died suddenly at Tewkesbury Road, Gloucester, on 22 January 1980 age 83 years while his wife, Pat, died ten years later at Stroud in February 1990 age 87 years.

There is a detailed [profile of Tom Voyce](#) in the [People/Player Profiles section](#) of this website.

There is also a family tree showing the [relationship between Tom Voyce Snr. and Tom Voyce Jr.](#)

[Back to Family Tree](#)

[Go To Top of Page](#)

[Return Home](#)

-----//-----